



DC RIGHT ANGLE GEAR MOTOR

直流直角轴减速电动机

中大电机
ZD MOTOR

品名的阅读方法 READING METHODS

电动机 Motor

Z 5(5) D 60 - 24 GU - 30S
 ① ② ③ ④ ⑤ ⑥ ⑦

①	公司名称 Comanpy	中大电机 ZD MOTOR			
②	机座号 Code	4	5	55	6
	电机安装法兰 Mounting Flange mm	□80	□90	□90	□100
	机壳直径 Case Diameter	80	80	90	90
③	电机种类 Motor Type	D:直流电机: DC MOTOR			
④	输出功率 (W) Output Power	例:60: 60W			
⑤	电源电压 Voltage	例 24:24V			
⑥	转轴形状 Motor SHAFT Type	GN:GN 型齿轮轴 GN Pinion Shaft GU:GU 型齿轮轴 GU Pinion Shat A:铣扁 Flat type A1:键槽型 Keyway			
⑦	电机转速 Motor Speed	例 30S:3000RPM			

备注：如果电机需刹车器可在型号最好增加-M符号，如Z5(5)D60-24GU-30S-M,刹车器电压与电机额定电压相同；型号中电机可解读为机壳外径90mm、GU型、额定电压24VDC、额定功率60W、额定转速3000RPM、配24VDC刹车器。

Note:we use M to symbolise the brake,such as Z5(5)D60-24GU-30S-M, the brake voltage is the same as the rated voltage of the motor, Type of motor can be interpreted as a case diameter of 90mm,GU type, rated voltage 24VDC, rated power 60W, rated speed of 3000RPM, with brake-24VDC.

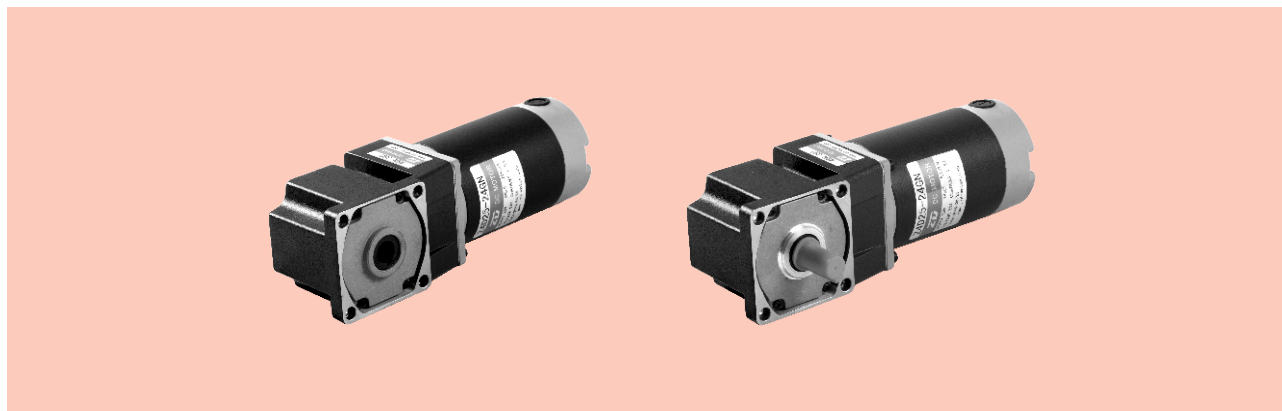
减速机 Reduc

5 GN 50 RC
 ① ② ③ ④

①	减速器安装尺寸 Gearhead Frame Size	4:80mm 5:90mm 6:104mm
②	类型Gear Type	GN: GN型齿轮轴 GN Type Gear GU: GU型齿轮轴 GU Type Gear
③	减速比Gear Ratio	例: 50 减速比 Reducation Ration: 50
④	输出种类Type of output shaft	RC : 弧锥齿空心轴输出 Spiral bevel hollow shaft RT : 弧锥齿实心轴输出 Spiral bevel output shaft

弧锥直角 SPIRAL BEVEL RIGHT ANGLE

■ 25W □ 80mm



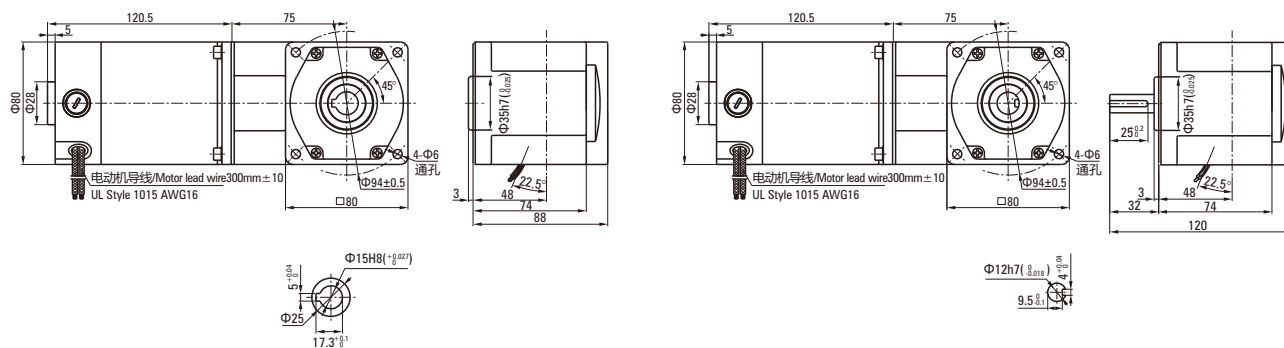
■ 装有减速器时的容许转矩 Gear Motor-Torque Table

- 减速机·中间减速机另售。Gearhead and Intermediate gearhead are sold separately.
- 减速机品名的□中为减速比的数值。Enter the reduction ratio into the blank(□) within the model name.
□色表示分别从电动机轴轴端和减速机轴轴端看时，电机轴与输出轴转向反方向运转。其他则为同一方向运转。
□ Indicates the opposite rotating direction between motor shaft and gearbox shaft while others are in same direction.
- 转速是以电动机的额定转速为基准除以减速比而算出来的数值。实际转速将随负载大小变化而比所示数值减少2%~20%左右。
The speed is calculated by dividing the motor's synchronous speed by the reduction ratio. The actual speed is 2%~20% less than the displayed value, depending on the size of the load.
- 希望以大于下表的减速比进行进一步减速时，可在电动机与减速机之间安装减速比为10的中间减速机。这时的容许转矩为8N·m。
- To reduce the speed beyond the reduction ratio in the following table, attach an intermediate gearhead (reduction ratio: 10) between the reducer and motor. In that case, the permissible torque is 8N·m.

■ 容许力矩单位 Allowance Torque Unit: 上段 Upside (N.m) / 下段 Belowside (kgf.cm)

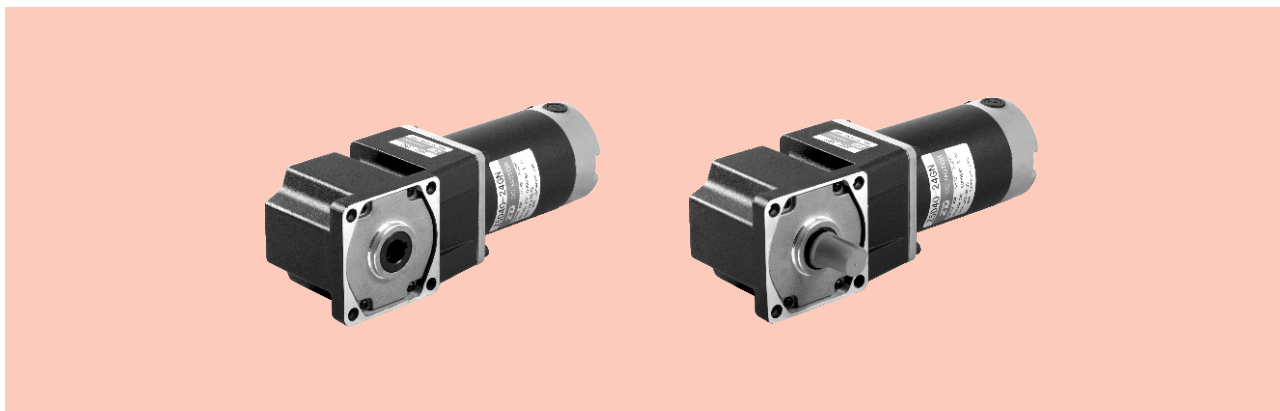
机型Type 电动机/减速机 Motor/Gearhead	减速比Gear Ratio	9	12.5	15	18	25	30	36	50	60	75	90	100	120	150	180
	转速Speed r/min	316	228	190	158	114	95	79	57	47	38	31	28	23	19	15
Z4D25-24GN-28.5S	4GN□RC/ 4GN□RT	0.55	0.76	0.92	1.10	1.53	1.80	2.20	3.05	3.30	4.12	4.95	5.50	6.60	8.00	8.00
		5.61	7.75	9.38	11.2	15.6	18.4	22.4	31.1	33.7	42.0	50.5	56.1	67.3	80.0	8.00

■ 外形图 (单位:mm) Dimensions(Unit:mm)



弧锥直角 SPIRAL BEVEL RIGHT ANGLE

■ 40W □ 90mm



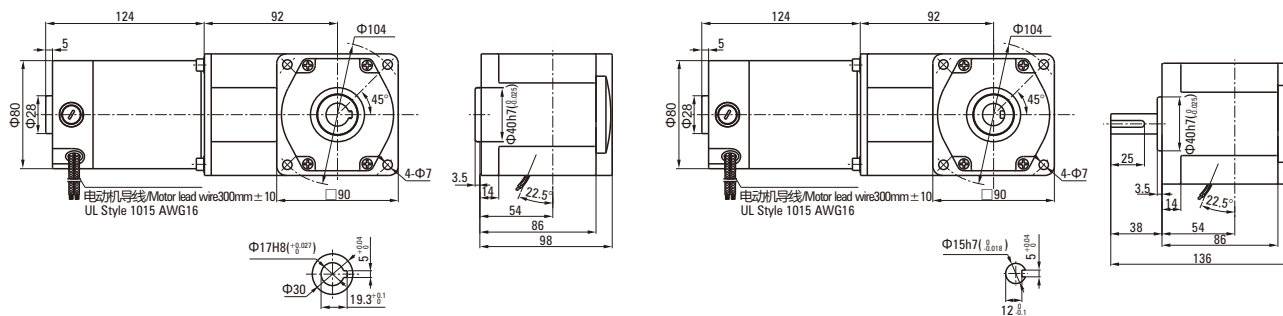
■ 装有减速器时的容许转矩 Gear Motor-Torque Table

- 减速机·中间减速机另售。Gearhead and Intermediate gearhead are sold separately.
- 减速机品名的□中为减速比的数值。Enter the reduction ratio into the blank(□) within the model name.
 □色表示分别从电动机轴轴端和减速机轴轴端看时，电机轴与输出轴转向反方向运转。其他则为同一方向运转。
 □ Indicates the opposite rotating direction between motor shaft and gearbox shaft while others are in same direction.
- 转速是以电动机的额定转速为基准除以减速比而算出来的数值。实际转速将随负载大小变化而比所示数值减少2%~20%左右。
 The speed is calculated by dividing the motor's synchronous speed by the reduction ratio. The actual speed is 2%~20% less than the displayed value, depending on the size of the load.
- 希望以大于下表的减速比进行进一步减速时，可在电动机与减速机之间安装减速比为10的中间减速机。这时的容许转矩为20N·m。
- To reduce the speed beyond the reduction ratio in the following table, attach an intermediate gearhead (reduction ratio: 10) between the reducer and motor. In that case, the permissible torque is 20N·m.

■ 容许力矩单位 Allowance Torque Unit: 上段 Upside (N.m) / 下段 Belowside (kgf.cm)

机型Type	减速比Gear Ratio	9	12.5	15	18	25	30	36	50	60	75	90	100	120	150	180
电动机/减速机 Motor/Gearhead	转速Speed r/min	311	224	186	155	112	93	77	56	46	37	31	28	23	18	15
Z5D40-24GU-28S	5GU□RC/ 5GU□RT	0.90	1.24	1.49	1.79	2.32	2.78	3.01	4.18	5.37	6.71	8.06	8.95	10.7	13.4	16.1
		9.18	12.6	15.2	18.3	23.7	28.4	30.7	42.6	54.8	68.4	82.2	91.3	109	137	164

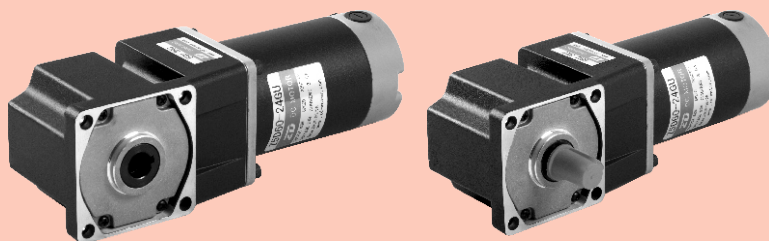
■ 外形图 (单位:mm) Dimensions(Unit:mm)



弧锥直角

SPIRAL BEVEL RIGHT ANGLE

■ 60W □ 90mm



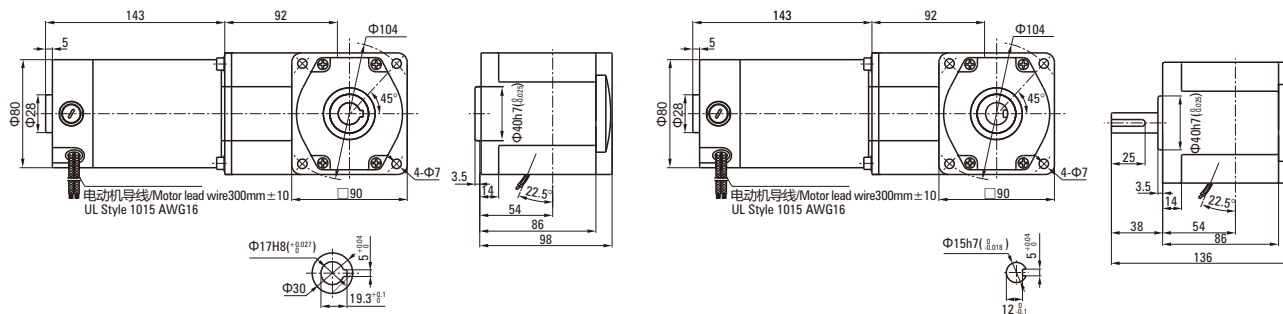
■ 装有减速器时的容许转矩 Gear Motor-Torque Table

- 减速机·中间减速机另售。Gearhead and Intermediate gearhead are sold separately.
- 减速机品名的□中为减速比的数值。Enter the reduction ratio into the blank (□) within the model name.
 □色表示分别从电动机轴轴端和减速器轴轴端看时，电机轴与输出轴转向反方向运转。其他则为同一方向运转。
 □ Indicates the opposite rotating direction between motor shaft and gearbox shaft while others are in same direction.
- 转速是以电动机的额定转速为基准除以减速比而算出来的数值。实际转速将随负载大小变化而比所示数值减少2%~20%左右。
 The speed is calculated by dividing the motor's synchronous speed by the reduction ratio. The actual speed is 2%~20% less than the displayed value, depending on the size of the load.
- 希望以大于下表的减速比进行进一步减速时，可在电动机与减速机之间安装减速比为10的中间减速机。这时的容许转矩为20N·m。
- To reduce the speed beyond the reduction ratio in the following table, attach an intermediate gearhead (reduction ratio: 10) between the reducer and motor. In that case, the permissible torque is 20N·m.

■ 容许力矩单位 Allowance Torque Unit: 上段 Upside (N.m) / 下段 Belowside (kgf.cm)

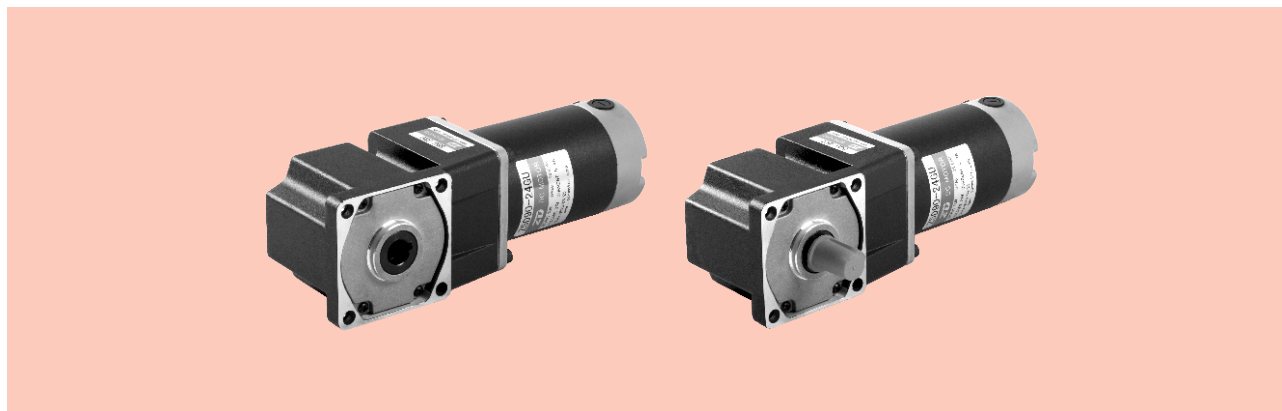
机型Type 电动机/减速机 Motor/Gearhead	减速比Gear Ratio	9	12.5	15	18	25	30	36	50	60	75	90	100	120	150	180
	转速Speed r/min	311	224	186	155	112	93	77	56	46	37	31	28	23	18	15
Z5D60-24GU-28S	5GU□RC/ 5GU□RT	1.34	1.86	2.24	2.69	3.37	4.48	4.83	6.71	8.06	10.1	12.1	13.4	16.1	20.0	20.0
		13.7	19.0	22.8	27.4	38.0	45.7	49.3	68.4	82.2	103	123	137	164	200	200

■ 外形图 (单位:mm) Dimensions(Unit:mm)



弧锥直角 SPIRAL BEVEL RIGHT ANGLE

■ 90W □ 90mm



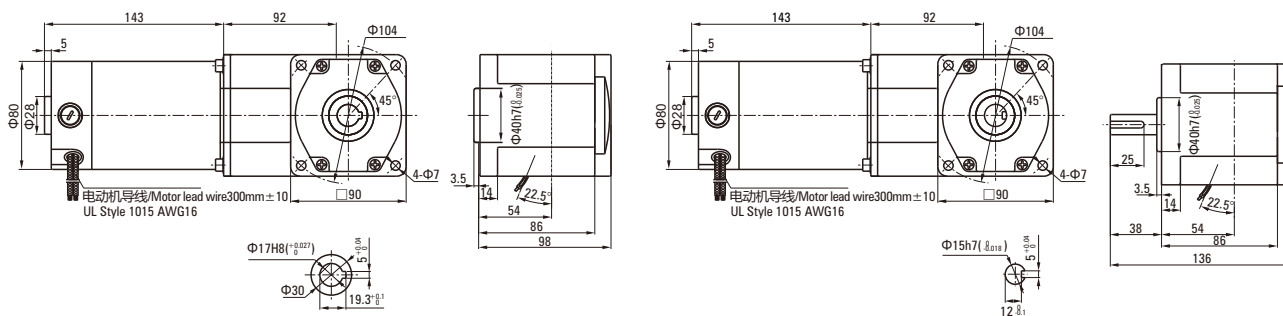
■ 装有减速器时的容许转矩 Gear Motor-Torque Table

- 减速机·中间减速机另售。Gearhead and Intermediate gearhead are sold separately.
- 减速机品名的□中为减速比的数值。Enter the reduction ratio into the blank(□) within the model name.
□色表示分别从电动机轴轴端和减速机轴轴端看时，电机轴与输出轴转向反方向运转。其他则为同一方向运转。
□ Indicates the opposite rotating direction between motor shaft and gearbox shaft while others are in same direction.
- 转速是以电动机的额定转速为基准除以减速比而算出来的数值。实际转速将随负载大小变化而比所示数值减少2%~20%左右。
The speed is calculated by dividing the motor's synchronous speed by the reduction ratio. The actual speed is 2%~20% less than the displayed value, depending on the size of the load.
- 希望以大于下表的减速比进行进一步减速时，可在电动机与减速机之间安装减速比为10的中间减速机。这时的容许转矩为20N·m。
- To reduce the speed beyond the reduction ratio in the following table, attach an intermediate gearhead (reduction ratio: 10) between the reducer and motor. In that case, the permissible torque is 20N·m.

■ 容许力矩单位 Allowance Torque Unit: 上段 Upside (N.m) / 下段 Belowside (kgf.cm)

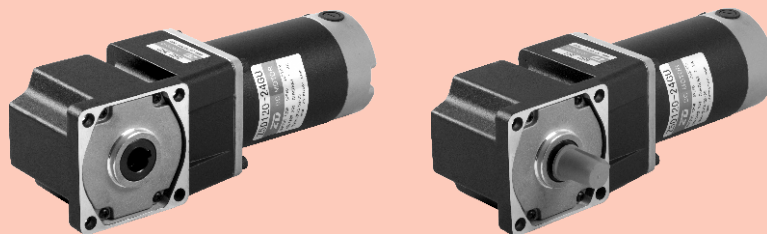
机型Type	减速比Gear Ratio	9	12.5	15	18	25	30	36	50	60	75	90	100	120	150	180
电动机/减速机 Motor/Gearhead	转速Speed r/min	311	224	186	155	112	93	77	56	46	37	31	28	23	18	15
Z5D90-24GU-28S	5GU□RC/ 5GU□RT	2.01	2.80	3.36	4.03	5.59	6.71	7.25	10.1	12.1	15.1	18.1	20.0	20.0	20.0	20.0
		20.5	28.6	34.3	41.1	57.0	68.4	74.0	103	123	154	185	200	200	200	200

■ 外形图 (单位:mm) Dimensions(Unit:mm)



弧锥直角 SPIRAL BEVEL RIGHT ANGLE

■ 120W □ 90mm



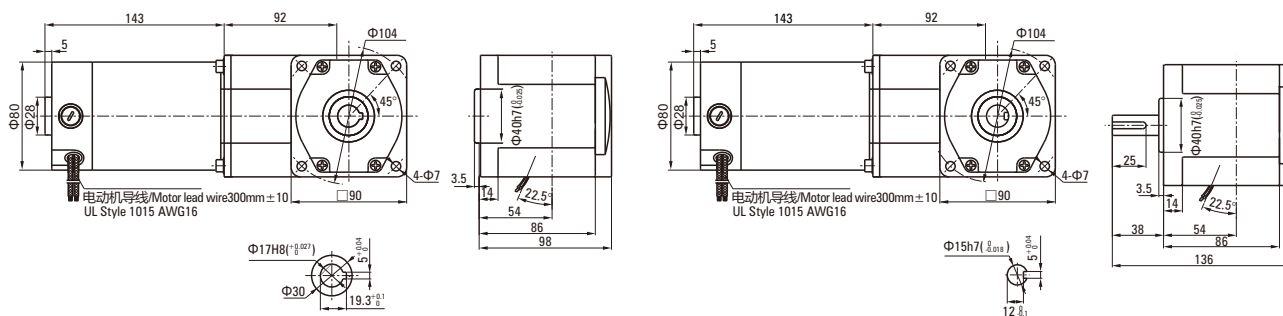
■ 装有减速器时的容许转矩 Gear Motor-Torque Table

- 减速机·中间减速机另售。Gearhead and Intermediate gearhead are sold separately.
- 减速机品名的□中为减速比的数值。Enter the reduction ratio into the blank (□) within the model name.
 □色表示分别从电动机轴轴端和减速机轴轴端看时，电机轴与输出轴转向反方向运转。其他则为同一方向运转。
 □ Indicates the opposite rotating direction between motor shaft and gearbox shaft while others are in same direction.
- 转速是以电动机的额定转速为基准除以减速比而算出来的数值。实际转速将随负载大小变化而比所示数值减少2%~20%左右。
 The speed is calculated by dividing the motor's synchronous speed by the reduction ratio. The actual speed is 2%~20% less than the displayed value, depending on the size of the load.
- 希望以大于下表的减速比进行进一步减速时，可在电动机与减速机之间安装减速比为10的中间减速机。这时的容许转矩为20N·m。
- To reduce the speed beyond the reduction ratio in the following table, attach an intermediate gearhead (reduction ratio: 10) between the reducer and motor. In that case, the permissible torque is 20N·m.

■ 容许力矩单位 Allowance Torque Unit: 上段 Upside (N.m) / 下段 Belowside (kgf.cm)

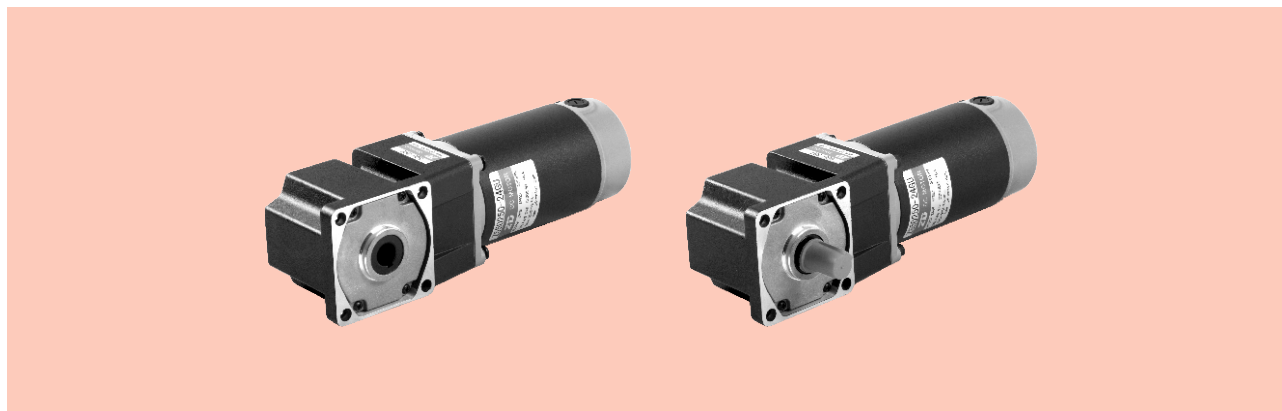
机型Type 电动机/减速机 Motor/Gearhead	减速比Gear Ratio	9	12.5	15	18	25	30	36	50	60	75	90	100	120	150	180
	转速Speed r/min	288	208	173	144	104	86	72	52	43	34	28	26	21	17	14
Z5D120-24GU-26S	5GU□RC/ 5GU□RT	5.44	4.02	4.82	5.78	8.03	9.64	10.4	14.5	17.4	20.0	20.0	20.0	20.0	20.0	20.0
		55.5	41.0	48.2	59.0	81.9	98.3	106	148	177	200	200	200	200	200	200

■ 外形图 (单位:mm) Dimensions(Unit:mm)



弧锥直角 SPIRAL BEVEL RIGHT ANGLE

■ 250W □ 90mm



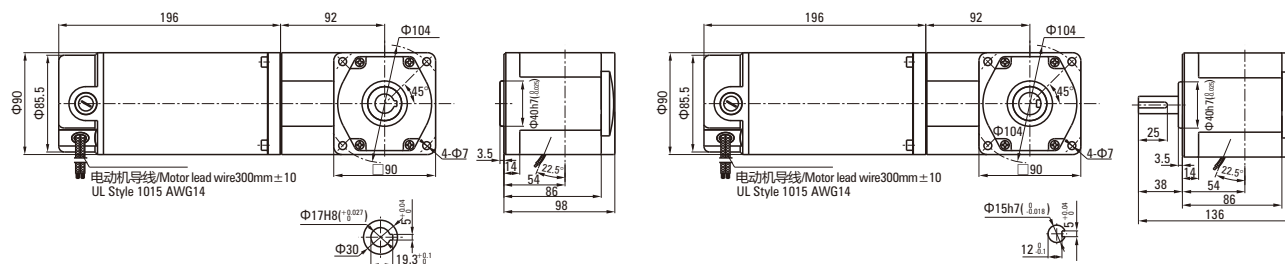
■ 装有减速器时的容许转矩 Gear Motor-Torque Table

- 减速机·中间减速机另售。Gearhead and Intermediate gearhead are sold separately.
- 减速机品名的□中为减速比的数值。Enter the reduction ratio into the blank(□) within the model name.
 □色表示分别从电动机轴轴端和减速机轴轴端看时，电机轴与输出轴转向反方向运转。其他则为同一方向运转。
 □ Indicates the opposite rotating direction between motor shaft and gearbox shaft while others are in same direction.
- 转速是以电动机的额定转速为基准除以减速比而算出来的数值。实际转速将随负载大小变化而比所示数值减少2%~20%左右。
 The speed is calculated by dividing the motor's synchronous speed by the reduction ratio. The actual speed is 2%~20% less than the displayed value, depending on the size of the load.
- 希望以大于下表的减速比进行进一步减速时，可在电动机与减速机之间安装减速比为10的中间减速机。这时的容许转矩为20N·m。
- To reduce the speed beyond the reduction ratio in the following table, attach an intermediate gearhead (reduction ratio: 10) between the reducer and motor. In that case, the permissible torque is 20N·m.

■ 容许力矩单位 Allowance Torque Unit: 上段 Upside (N.m) / 下段 Belowside (kgf.cm)

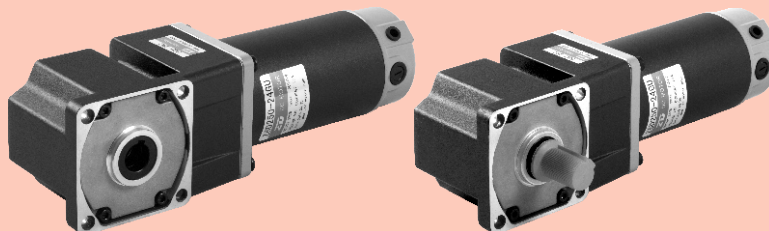
机型Type	减速比Gear Ratio	9	12.5	15	18	25	30	36	50	60	75	90	100	120	150	180
电动机/减速机 Motor/Gearhead	转速Speed r/min	333	240	200	166	120	100	83	60	50	40	33	30	25	20	16
Z55D250-24GU-30S	5GU□RC/ 5GU□RT	9.83	13.6	8.70	10.4	14.5	17.4	18.8	20.0	20.0	20.0	20.0	20.0	20.0	20.0	20.0
		100	139	88.7	106	148	177	192	200	200	200	200	200	200	200	200

■ 外形图 (单位:mm) Dimensions(Unit:mm)



弧锥直角 SPIRAL BEVEL RIGHT ANGLE

■ 250W □ 104mm



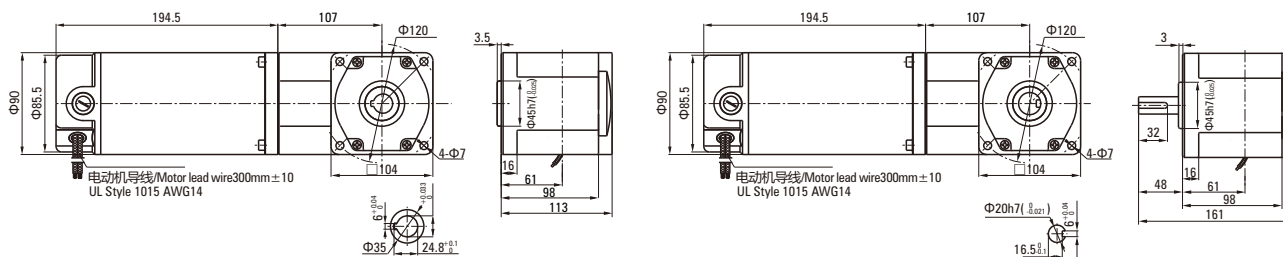
■ 装有减速器时的容许转矩 Gear Motor-Torque Table

- 减速机·中间减速机另售。Gearhead and Intermediate gearhead are sold separately.
- 减速机品名的□中为减速比的数值。Enter the reduction ratio into the blank (□) within the model name.
 □色表示分别从电动机轴轴端和减速器轴轴端看时，电机轴与输出轴转向反方向运转。其他则为同一方向运转。
 □ Indicates the opposite rotating direction between motor shaft and gearbox shaft while others are in same direction.
- 转速是以电动机的额定转速为基准除以减速比而算出来的数值。实际转速将随负载大小变化而比所示数值减少2%~20%左右。
 The speed is calculated by dividing the motor's synchronous speed by the reduction ratio. The actual speed is 2%~20% less than the displayed value, depending on the size of the load.
- 希望以大于下表的减速比进行进一步减速时，可在电动机与减速机之间安装减速比为10的中间减速机。这时的容许转矩为60N·m。
- To reduce the speed beyond the reduction ratio in the following table, attach an intermediate gearhead (reduction ratio: 10) between the reducer and motor. In that case, the permissible torque is 60N·m.

■ 容许力矩单位 Allowance Torque Unit: 上段 Upside (N.m) / 下段 Belowside (kgf.cm)

机型Type 电动机/减速机 Motor/Gearhead	减速比Gear Ratio	9	12.5	15	18	25	30	36	50	60	75	90	100	120	150	180
	转速Speed r/min	333	240	200	166	120	100	83	60	50	40	33	30	25	20	16
Z6D250-24GU-30S	6GU□RC/ 6GU□RT	9.83	13.6	8.70	10.4	14.5	17.4	20.9	26.1	31.3	39.2	47.0	52.2	60.0	60.0	60.0
		100	139	88.7	106	148	177	213	266	319	340	479	532	600	600	600

■ 外形图 (单位:mm) Dimensions(Unit:mm)



中大电机
ZD MOTOR

**DC RIGHT
ANGLE GEAR MOTOR
CATALOGUE**

宁波中大莱德机械设备有限公司
NINGBO ZHONGDA LEADER MACHINERY&EQUIPMENT CO.,LTD.
地址：浙江省慈溪市宗汉街道新兴东一路158号
Add: NO 158 1st XinXing East Road,Zonghan Street.Cixi City,Zhejiang ,China

国内贸易服务：
电话: 15957411112 15888042003
传真: 86-574-23456108
E-mail: zldmotor@163.com

更多详情，敬请浏览：
www.zldmotor.com

产品内容若有变动，恕不另行通知,以咨询后实际产品为主。
The contents of the products will be subject to change without notice,
subject to the actual product after consultation.